

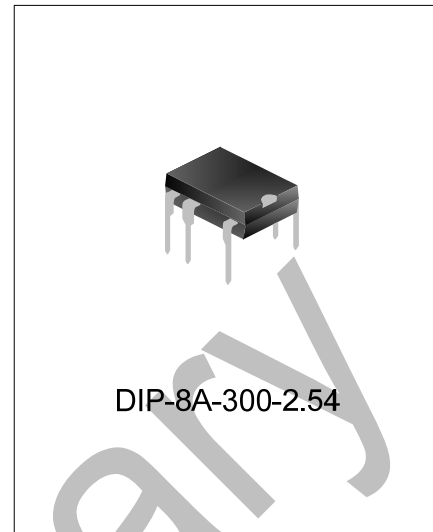
## PRIMARY SIDE CONTROL SMPS WITH BUILT-IN MOSFET

### DESCRIPTION

SD6854 is a primary side control PSR SMPS with built-in MOSFET. It features programmable cable drop compensation function, PFM technology and CV/CC control loop with high reliability and average efficiency.

With SD6854, opto-couple and Y capacitor, secondary feedback control, loop compensation circuit can be eliminated for reducing cost.

In a certain output voltage range, output voltage can be set through feedback resistor, and output current also can be set through peak current sense resistor. Setting cable drop compensation and peak current compensation are also available for optimized output voltage/current regulation.



### FEATURES

- \* Built-in high voltage MOSFET
- \* Primary side control
- \* Low start-up current
- \* Leading edge blanking
- \* Pulse-Frequency Modulation(PFM)
- \* Overvoltage protection
- \* Undervoltage lockout
- \* Over temperature protection
- \* Cycle by cycle current limiting
- \* Open loop protection
- \* Cable drop compensation
- \* Peak current compensation

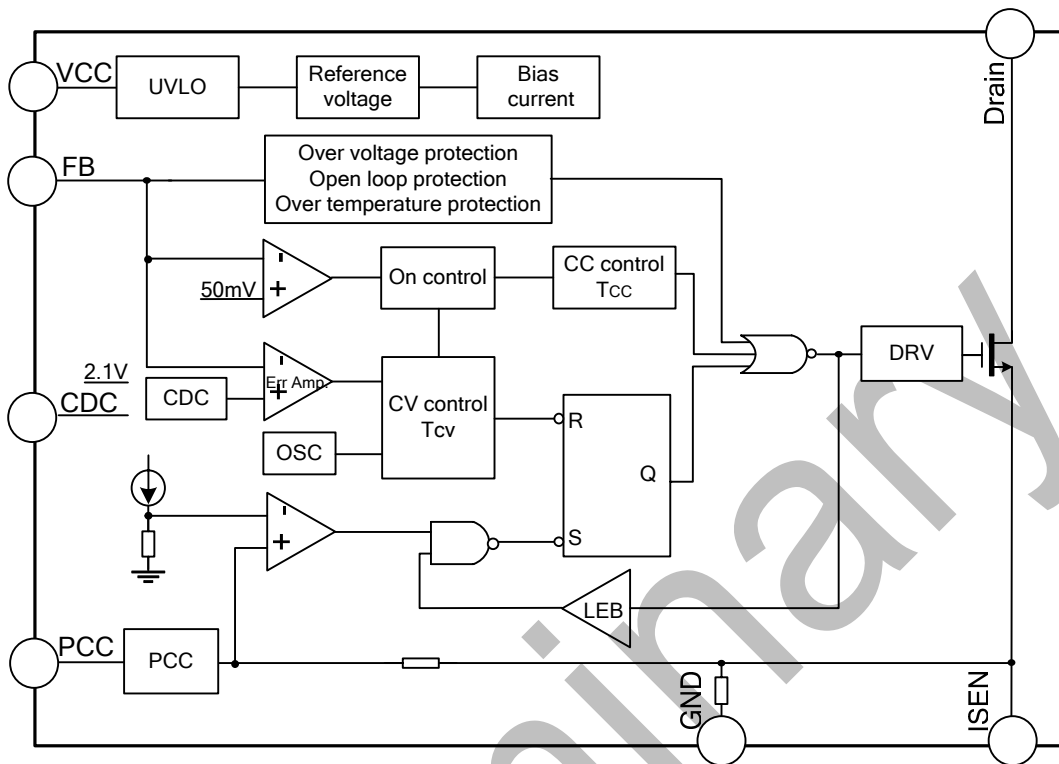
### APPLICATIONS

- \* Mobile charger
- \* Adaptor with small power
- \* charger for MP3 and other portable apparatus
- \* Stand-by power supply

### ORDERING INFORMATION

Part No.	Package	Marking	Material	Packing
SD6854	DIP-8A-300-2.54	SD6854	Pb free	Tube
SD6854G	DIP-8A-300-2.54	SD6854G	Pb free	Tube

**BLOCK DIAGRAM**



**ABSOLUTE MAXIMUM RATING** (unless otherwise specified,  $T_{amb}=25^{\circ}\text{C}$ )

Characteristics	Symbol	Rating	Unit
Supply voltage	$V_{CC}$	-0.3~28	V
Internal voltage reference	$V_{REF5V}$	-0.3~5.5	V
Input voltage on pin FB	$V_{FB}$	-20~18	V
Input voltage on other pins	$V_{IN}$	-0.3~ 5.3	V
Input current	$I_{IN}$	-10~10	mA
Operating junction temperature	$T_J$	+160	$^{\circ}\text{C}$
Operating temperature range	$T_{amb}$	-20~ +85	$^{\circ}\text{C}$
Storage temperature range	$T_{STG}$	-40~+125	$^{\circ}\text{C}$
ESD(body mode)	ESD	2500	V

**MOSFET ELECTRICAL CHARACTERISTICS** (unless otherwise specified,  $T_{amb}=25^{\circ}\text{C}$ )

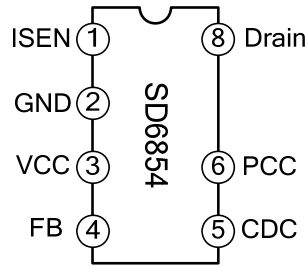
Characteristics	Symbol	Test conditions	Min.	Typ.	Max.	Unit
Drain-source breakdown voltage	$B_{VDSS}$	$V_{GS}=0V, I_D=50\mu\text{A}$	650	--	--	V
Static Drain-source on-state resistance	$R_{DS(ON)}$	$V_{GS}=10V, I_D=1.25A$	--	3.8	4.8	$\Omega$
Forward transconductance	$G_{fs}$	$V_{DS}=50V, I_D=0.5A$	1.5	--	--	S

Characteristics	Symbol	Test conditions	Min.	Typ.	Max.	Unit
Input Capacitance	$C_{iss}$	$V_{GS}=0V, V_{DS}=25V, f=1MHz$	--	450	--	pF
Output Capacitance	$C_{oss}$		--	35	--	
Reverse Transfer Capacitance	$C_{rss}$		--	8.4	--	
Turn-on Delay Time	$t_{d(ON)}$	$V_{DS}=0.5B_{VDSS}, I_D=25mA$	--	12.6	--	nS
Rise Time	$t_r$		--	31	--	
Turn-off Delay Time	$t_{d(OFF)}$		--	17.6	--	
Fall time	$t_f$		--	20	--	

## ELECTRICAL CHARACTERISTICS (unless otherwise specified, $V_{CC}=18V, T_{amb}=25^{\circ}C$ )

Characteristics	Symbol	Test conditions	Min.	Typ.	Max.	Unit
<b>Supply voltage</b>						
Start-up current	$I_{ST}$	$V_{CC}=14V$	--	3	10	$\mu A$
Quiescent current	$I_{OP}$		--	300	450	$\mu A$
Start threshold voltage	$V_{ST}$		13	14.5	16	V
Shutdown threshold voltage	$V_{SP}$		5.5	6.5	7.5	V
Reference power supply	$V_{REF5V}$		4.75	5.0	5.25	V
VCC Overvoltage protection	$V_{CCOVP}$		24	25	26	V
<b>Feedback</b>						
Enable turn on voltage	$V_{EN}$		20	50	80	mV
FB Overvoltage protection	$V_{FBOVP}$		4.8	5.0	5.2	V
Loop open voltage	$V_{BLANK}$		-1.4	-1.2	-1.0	V
Constant voltage threshold	$V_{CV}$		2.0	2.1	2.2	V
<b>Dynamic characteristic</b>						
Leading-edge blanking time	$T_{LEB}$		0.3	0.6	0.9	$\mu S$
CV loop control off time	$T_{CVmin}$		1.0	--	2.8	$\mu S$
	$T_{CVmax}$	$V_{FB} > V_{CV}+0.2V$	12	18	24	mS
Maximum duty of constant-voltage loop	$D_{Smax}$		50	57	64	%
PFM frequency range	$f_s$		100	--	200k	Hz
Over voltage recover time	$T_{OVP}$		12	18	24	mS
<b>Current Limit</b>						
Peak current detecting threshold voltage	$V_{PK}$	$I_{PCC}=0$	500	700	900	mV
Peak current compensation	$\Delta I_{PK}$	$I_{PCC}=-1\mu A$	2.2	2.5	2.8	mA
<b>Cable drop compensation</b>						
Cable drop compensation voltage	$V_{CDC}$	$R_{CDC}=100K, D_S=50\%$	180	200	220	mV
<b>Over Temperature Protection</b>						
Over temperature detection	$T_{sd}$		125	140	--	$^{\circ}C$
Over temperature hysteresis	$T_{sdhys}$		20	35	55	$^{\circ}C$

**PIN CONFIGURATION**



**PIN DESCRIPTION**

Pin No.	Pin Name	I/O	Function description
1	ISEN	I	Peak current sense pin
2	GND	-	Ground
3	VCC	-	Power supply
4	FB	I	Feedback voltage input pin
5	CDC	I	Cable drop compensation resistor connect pin
6	PCC	I	peak current compensation resistor connect pin
7	--	--	No pin
8	Drain	O	Drain pin of high voltage MOSFET

**FUNCTION DESCRIPTION**

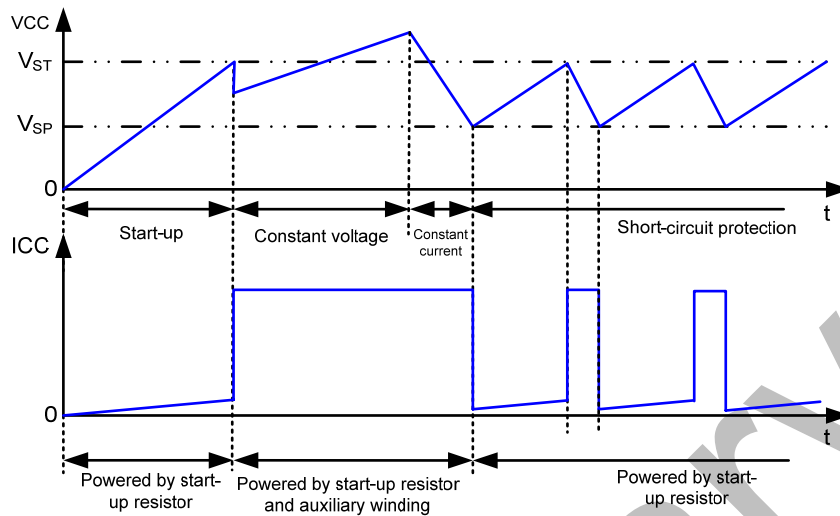
SD6854 is controller designed for off-line SMPS. It features built-in MOSFET, cable drop compensation and peak current compensation. CV/CC is obtained through output voltage/current controlled through detecting feedback voltage of auxiliary winding and peak current of primary winding.

The whole operating period consists of peak current detection and feedback voltage detection.

When MOSFET is on, primary current is detected by sense resistor and voltage at pin FB is negative, load is powered by output capacitor and output voltage  $V_O$  decreases. When primary current exceeds the limit, MOSFET is off and voltage at pin FB is detected. Output capacitor and load are powered by secondary current and  $V_O$  increases. Transistor is on again after stop for  $T_{CV}$  and hold for  $T_{CC}$ . And then, it comes to peak current detect again.

**1. Start-up and under voltage lockout**

At the beginning, the capacitor connected to pin  $V_{CC}$  is charged via start resistor by high voltage DC bus and the circuit starts to work if voltage at  $V_{CC}$  is 14.5V. The circuit is powered by start resistor and auxiliary winding for normal operation. The whole control circuit enters undervoltage lockout if  $V_{CC}$  is decreased to 6.5V, capacitor connected to pin  $V_{CC}$  is charged through start resistor and IC only restarts when  $V_{CC}=14.5V$ .



## 2. Peak current detection

When  $V_{DRIVE}=1$ , MOSFET is on, the linearly increased primary current is detected by the sense resistor. When this current increases to the threshold value (peak value), the MOSFET is off and the driving voltage  $V_{DRIVE}=0$ .

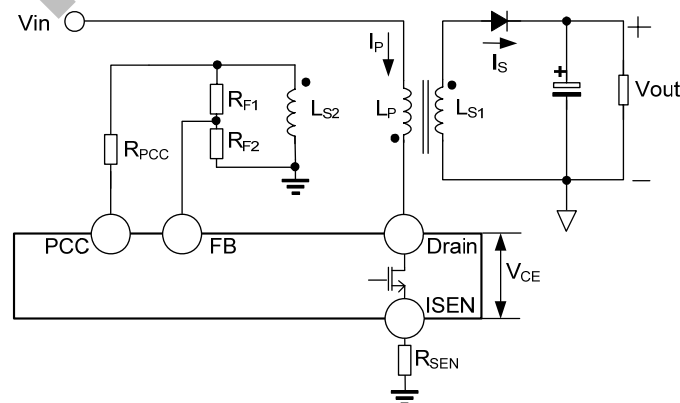
There is a burr when MOSFET is on, and MOSFET will be off by error if its voltage is up to the threshold value  $V_{PK}$  for the peak current. So the leading edge blanking time  $T_{LEB}=0.6\mu s$  is set to avoid this error.

## 3. Peak current compensation

The detected peak current value will be increased following the input AC voltage due to the off delay. And the output current is deeply affected by the peak current, hence the voltage regulation is worse without peak current compensation.

Peak current compensation is available in SD6854 through pin PCC by AC input voltage detecting. With the compensation, the detected peak current is hold with different input AC voltages for better line regulation.

The threshold value  $V_{PK}=0.7V$  is set by the circuit, that is, this value can be adjusted by  $R_{SEN}$ . The peak current compensation ability is decided by  $R_{PCC}$ , the lower resistance, the higher compensation.



#### 4. Feedback Voltage Detection

When MOSFET is off, the voltage at pin FB is positive and voltage is sensed at 2/3 duration of this positive voltage, this sensed voltage is used for  $T_{CV}$  control after compared with  $V_{CV}$ , amplified and held. CV is available by  $T_{CV}$  controlling.

Without consideration of voltage drop on cable and rectifier diode, the equation is shown as:

$$V_{OUT} \frac{n_{S2}}{n_{S1}} \cdot \frac{R_{F2}}{R_{F1} + R_{F2}} = V_{CV}$$

$T_{OFF1}$ ,  $T_{OFF2}$  and  $T_{ON}$  are counted at the same time which indicates durations of positive FB voltage, FB damping oscillation and FB negative voltage respectively. Positive FB voltage indicates there is current delivered to the secondary side of transformer, while negative and FB damping oscillation indicate there is no current delivered to the secondary side of transformer.

The duty factor is expressed as:

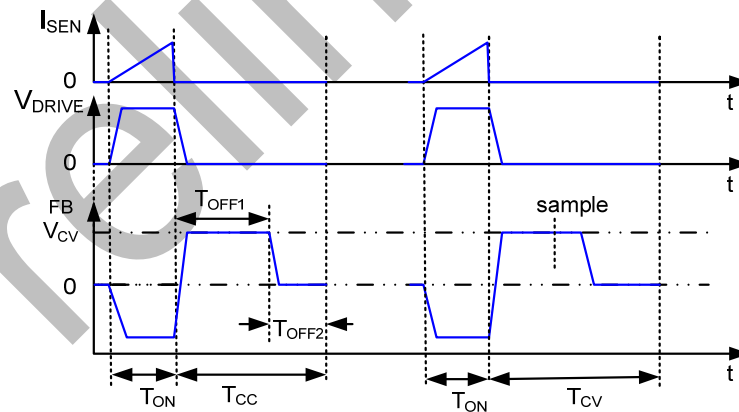
$$D_S = \frac{T_{OFF1}}{T_{OFF1} + T_{OFF2} + T_{ON}} = \frac{T_{OFF1}}{T}$$

Output current, also the average current in secondary winding:

$$I_{OUT} = \frac{I_{SP} \cdot T_{OFF1}}{2T} = \frac{nD_S}{2} I_{PK}$$

$I_{SP}$ —peak current in secondary winding,  $I_{PK}$ —peak current in primary winding,  $n$ —turns ratio of primary/secondary windings.

Hence, with constant peak current, when  $D_S = D_{Smax} = 0.57$  (this value is determined by internal circuit), the circuit enters constant-current mode and output current is kept constant.

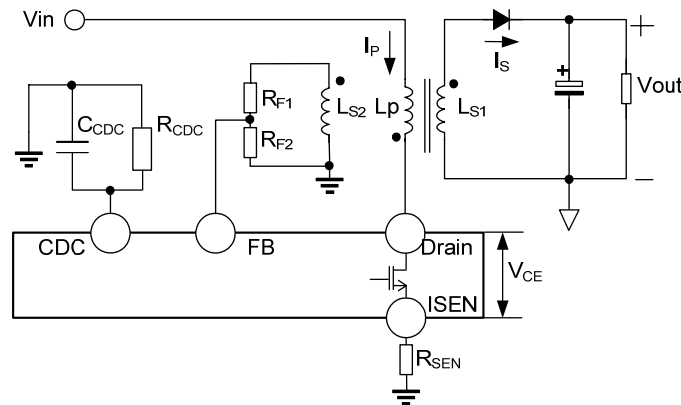


#### 5. Cable drop compensation

In the actual design, the cable voltage drop  $V_{CAB}$  should be taken into consideration:

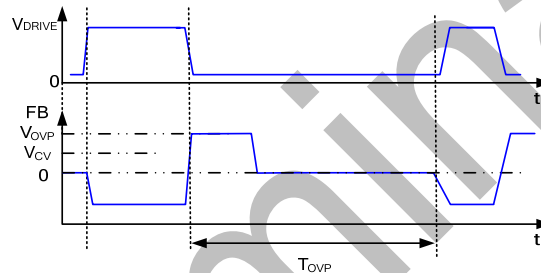
$V_D$  is almost constant with different currents, and cable voltage drop  $V_{CAB}$  is proportional to output current, which is needed to be compensated to get better voltage regulation.

For cable compensation,  $R_{CDC}$  is used for equivalent cable resistor. And different  $R_{CDC}$  is needed for different cable.



## 6. Over voltage protection

The output is shutdown if voltage at FB exceeds the threshold  $V_{OVP}$  and this state is kept for 18ms, then the circuit restarts.



## 7. Over Temperature Protection

If the circuit is over temperature, the output is shut down to prevent the circuit from damage. The hysteresis of over temperature protection is used to avoid frequently change between normal and protection modes. The over protection threshold value is  $140^{\circ}\text{C}$  and hysteresis value is about  $35^{\circ}\text{C}$ . Hence, the circuit is only normal when the temperature is  $105^{\circ}\text{C}$  below.

## 8. Open Loop Protection

When MOSFET is on, if  $V_{FB} > -1\text{V}$ , the loop is open and open loop protection is active to shutdown the output, which keeps for 18ms and then the circuit restarts

## 9. PFM frequency setting

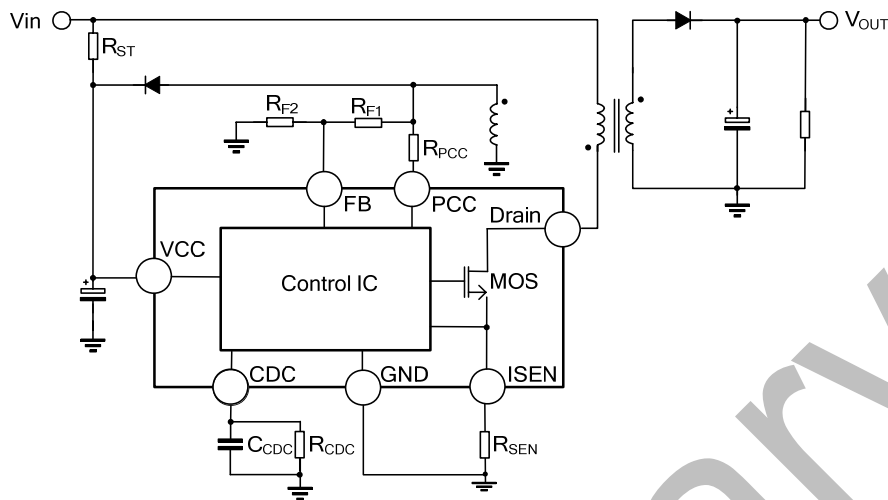
PFM frequency range is determined by the constant on time  $T_{ON}$  and constant-voltage loop off time. When off time is  $T_{CVmax}$ , the circuit works with no load and operating frequency value is minimum; when off time is  $T_{CVmin}$ , the circuit works with full load and operating frequency value is maximum.

According to the formula: 
$$P_O = V_O \cdot I_O = \frac{1}{2} L_m I_{PK}^2 \cdot f_S \cdot \eta$$

Where,  $L_m$ —primary inductance,  $I_{PK}$ —peak current in primary side,  $f_s$ —operating frequency,  $\eta$ —efficiency.

$$\text{Hence, } f_S = \frac{2V_O \cdot I_O}{L_m I_{PK}^2 \cdot \eta}$$

**TYPICAL APPLICATION CIRCUIT**

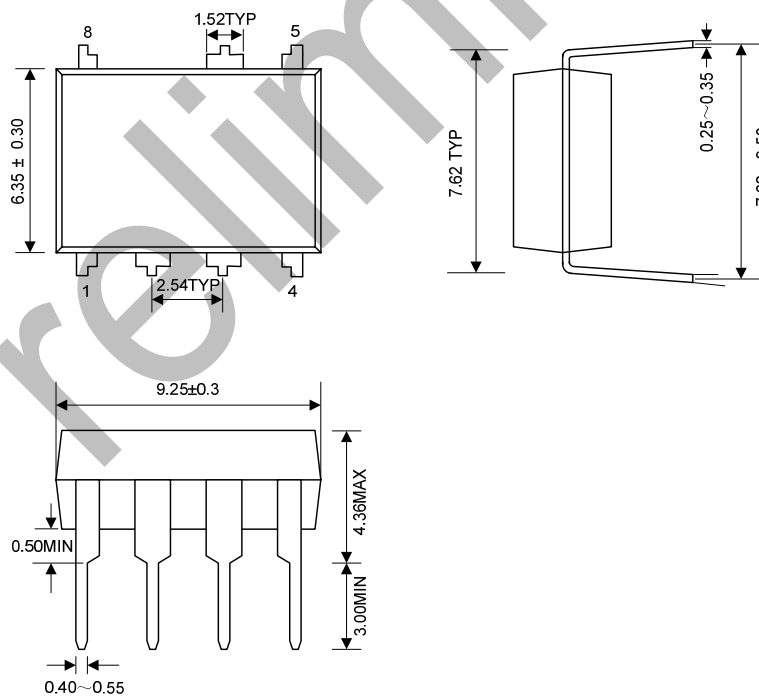


Note: The circuit and parameters are for reference only; please set the parameters of the real application circuit based on the real test.

**PACKAGE OUTLINE**

DIP-8A-300-2.54

UNIT: mm







**MOS DEVICES OPERATE NOTES:**

Electrostatic charges may exist in many things. Please take following preventive measures to prevent effectively the MOS electric circuit as a result of the damage which is caused by discharge:

- The operator must put on wrist strap which should be earthed to against electrostatic.
- Equipment cases should be earthed.
- All tools used during assembly, including soldering tools and solder baths, must be earthed.
- MOS devices should be packed in antistatic/conductive containers for transportation.

**Disclaimer :**

- Silan reserves the right to make changes to the information herein for the improvement of the design and performance without further notice! Customers should obtain the latest relevant information before placing orders and should verify that such information is complete and current.
- All semiconductor products malfunction or fail with some probability under special conditions. When using Silan products in system design or complete machine manufacturing, it is the responsibility of the buyer to comply with the safety standards strictly and take essential measures to avoid situations in which a malfunction or failure of such Silan products could cause loss of body injury or damage to property.
- Silan will supply the best possible product for customers!